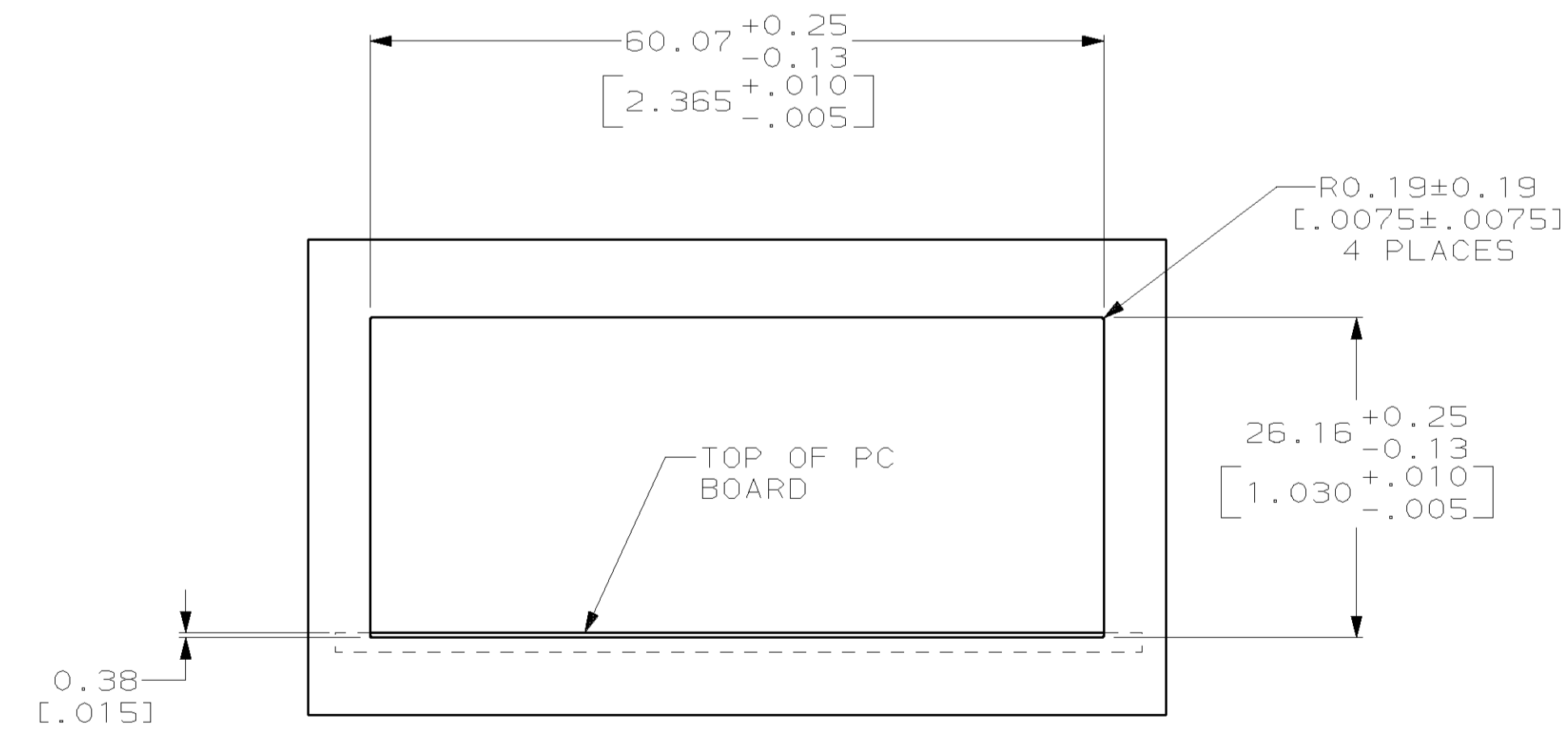
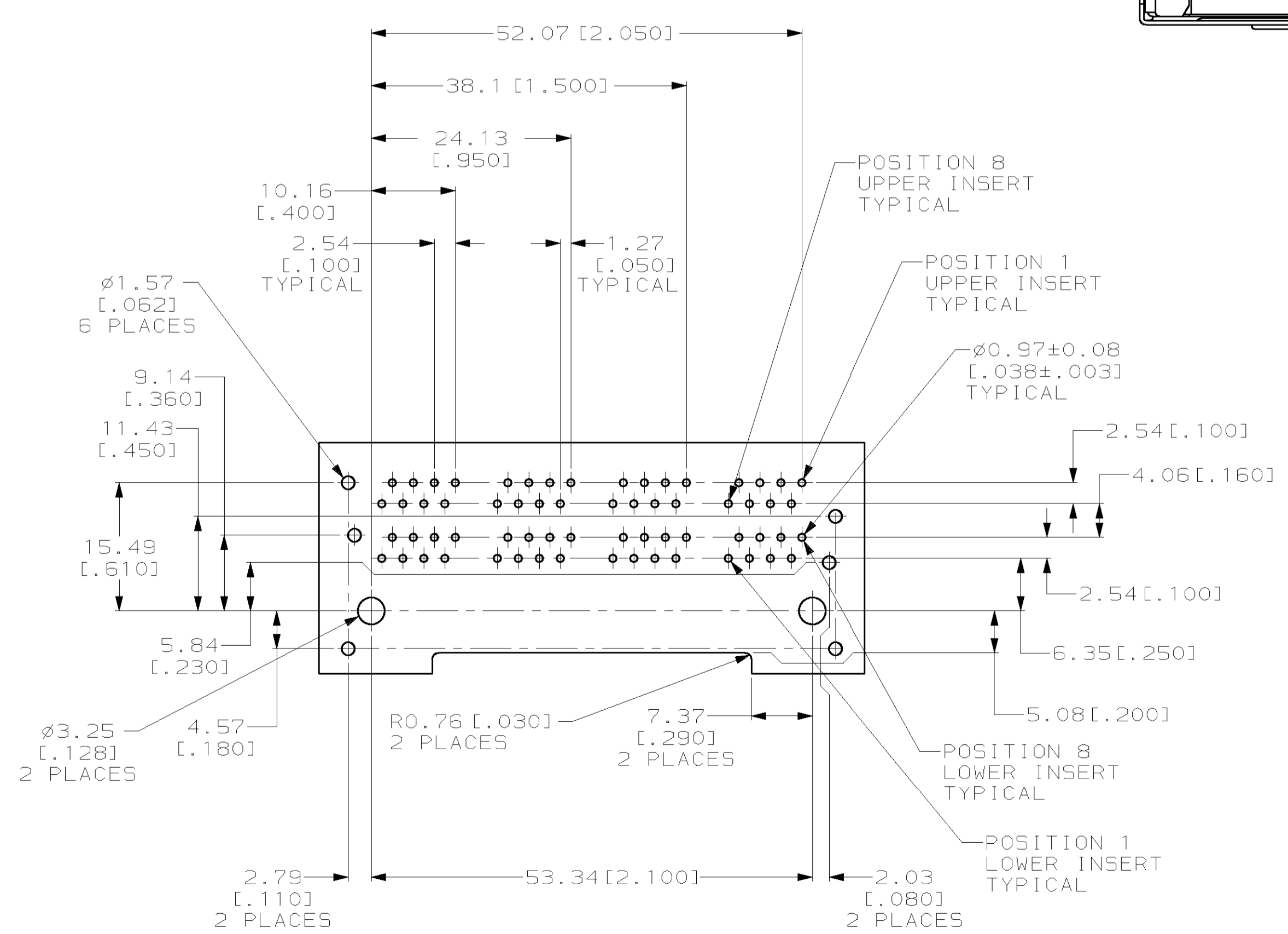
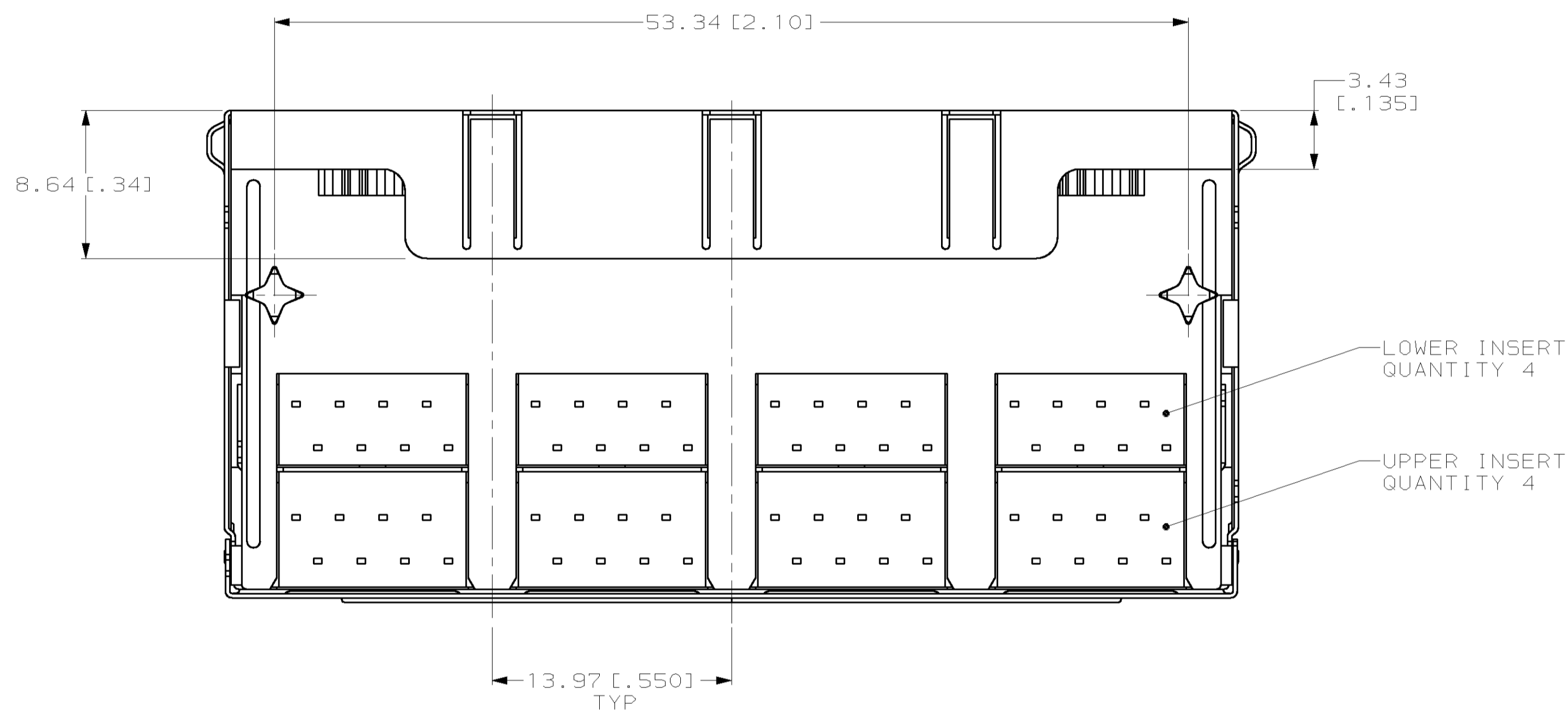
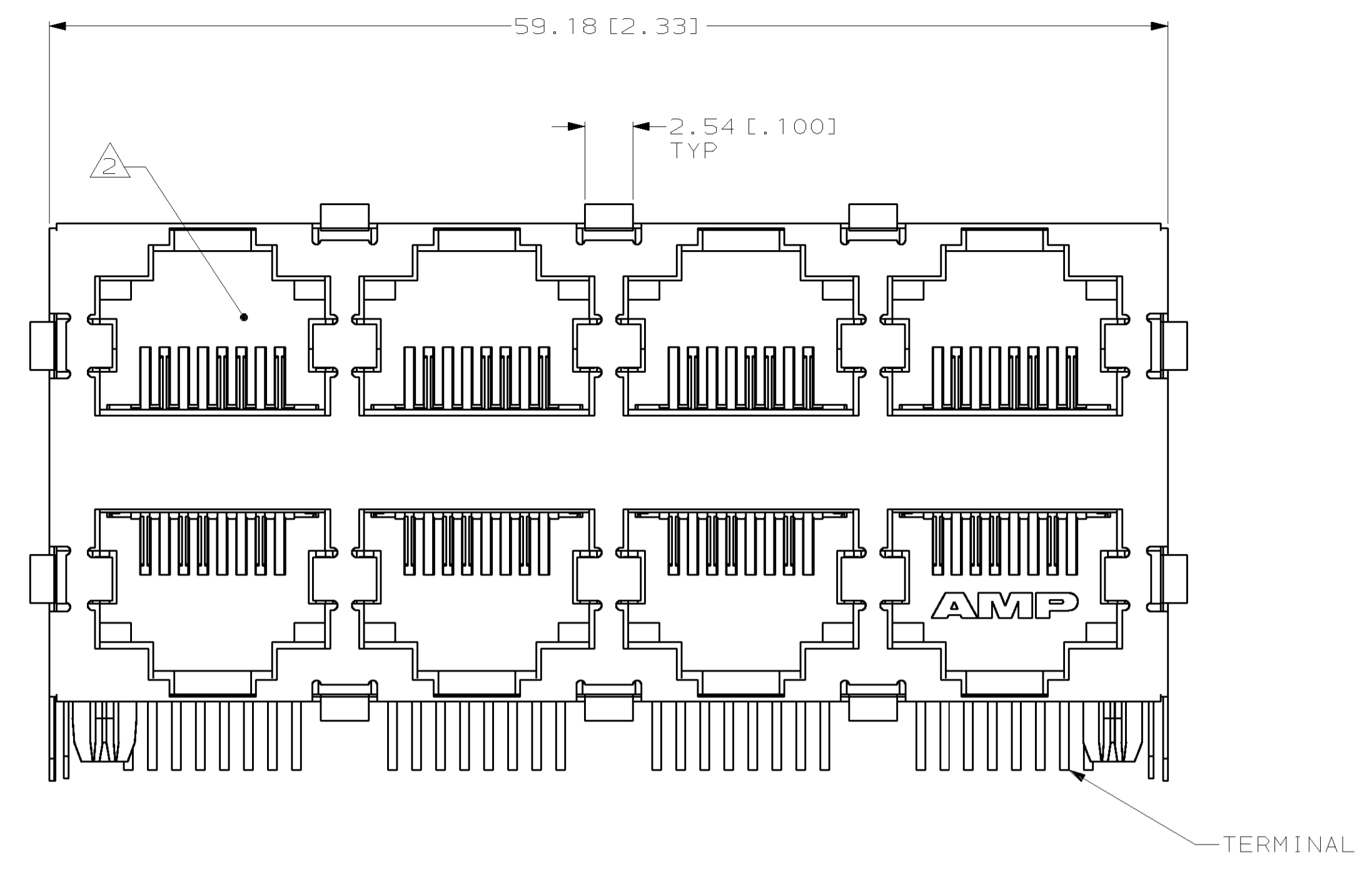
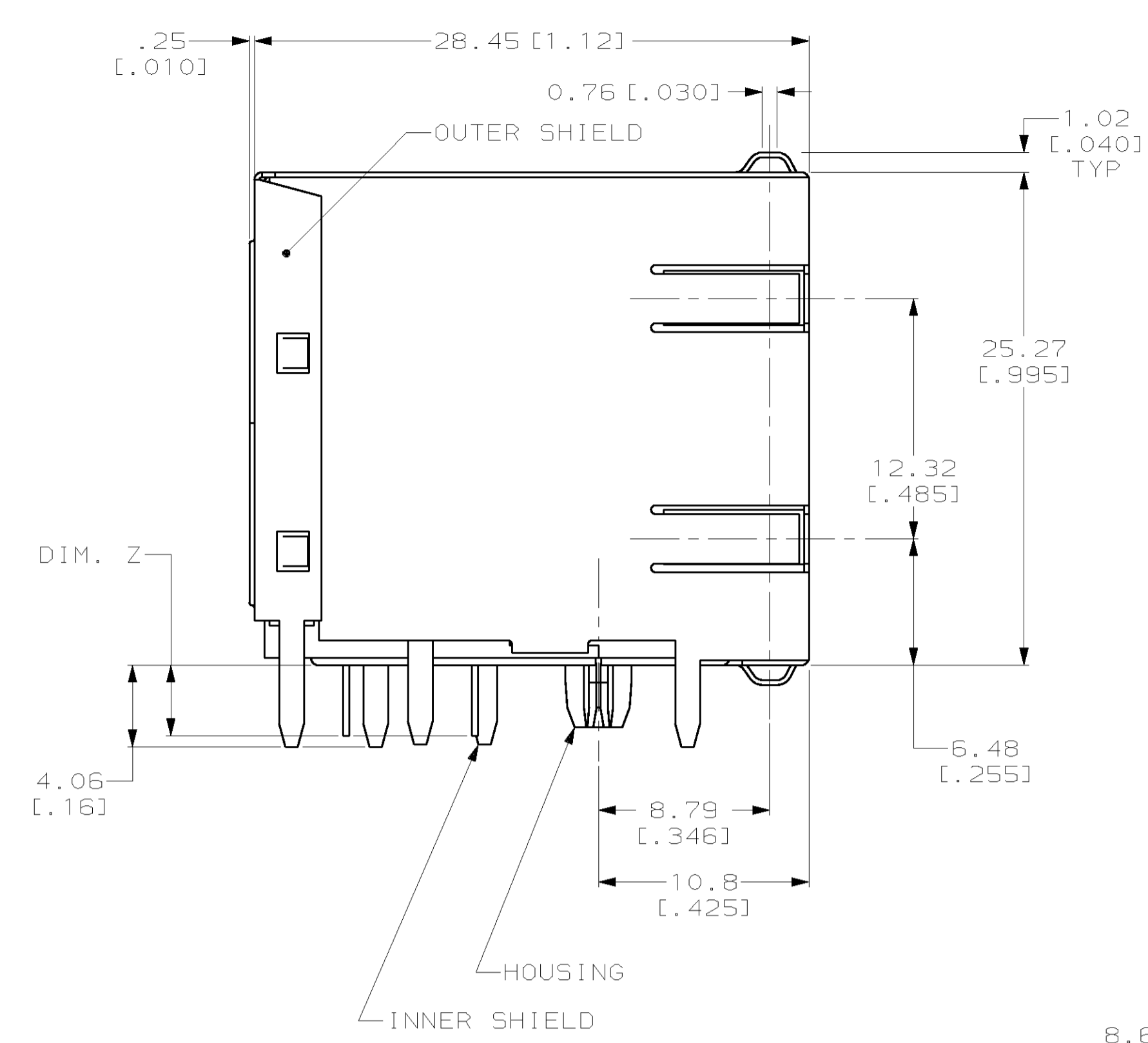


LOC	DIST	REV	DESCRIPTION	DATE	BY	APVD
AA	22	G	REVISED; EC OUI1C-0088-01	07MAR01	DL	DECL



SUGGESTED PANEL CUTOUT DIMENSIONS SCALE 2:1

PC BOARD LAYOUT VIEWED FROM COMPONENT SIDE SCALE 2:1

1 MATERIAL: HOUSING - PCT POLYESTER, BLACK, UL94V-0. OVERMOLDED TERMINAL ARRAY - PBT, BROWN. TERMINALS - 0.33 [.013] THICK PHOS BRONZE PLATED WITH 1.27µm [.000050] MINIMUM THICK HARD GOLD IN LOCALIZED AREA AND 3.81µm [.000150] MINIMUM THICK TIN-LEAD IN SOLDER AREA OVER 1.27µm [.000050] MINIMUM THICK NICKEL UNDERPLATE. SHIELD - 0.25 [.010] THICK COPPER ALLOY PLATED WITH 2.03µm [.000080] MINIMUM TIN-LEAD OVER 2.54µm [.000100] MINIMUM COPPER.

2 JACK CAVITY CONFORMS TO FCC RULES AND REGULATIONS, PART 68 SUBPART F.

3.05 [.120]	1-569262-1
3.56 [.140]	569262-1
DIM. Z	PART NUMBER

THIS DRAWING IS A CONTROLLED DOCUMENT AND IS UNPUBLISHED. IT IS SUBJECT TO CHANGE AND THE CONTROLLING ENGINEERING ORGANIZATION SHALL BE CONTACTED FOR THE LATEST REVISION.		DWN I. SPRINKLE 6-08-95
DIMENSIONS: mm [INCHES]		CHK C. WHITT 6-22-95
TOLERANCES UNLESS OTHERWISE SPECIFIED: 0 PLC ± 1 PLC ± 2 PLC ±0.25 [.010] 3 PLC ±0.13 [.005] 4 PLC ± ANGLES ±		APVD J. VARSIK 6-29-95
MATERIAL:		PRODUCT SPEC
FINISH:		APPLICATION SPEC
WEIGHT:		NAME STACKED MODULAR JACK ASSEMBLY, 2x4 PORT, 8 POSITION, SHIELDED, PANEL GROUND, CATEGORY 5
CUSTOMER DRAWING		SIZE A1
SCALE 4:1		CAGE CODE 00779
SHEET 1 OF 1		DRAWING NO C-569262
REV G		SCALE 4:1